

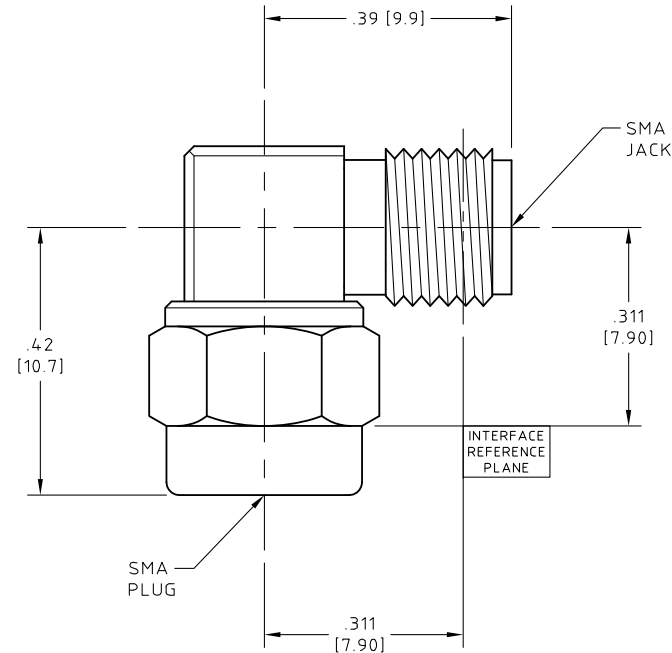
CONTROL DRAWING

29212-1

N

NOTES:

1. DESCRIPTION
ADAPTOR, SMA PLUG TO SMA JACK, 90° .
2. MATERIALS AND FINISHES
BODY AND NUT,
STEEL, CORROSION RESISTANT PER ASTM A-582,
UNS No. S30300, COND. A, NON MAGNETIC,
PASSIVATED PER SAE-AMS-2700.
NO DICHROMATE SOLUTIONS USED.
AND/OR
NICKEL PLATED .000100 IN (2.54 µM) MIN. THK.
PER SAE-AMS-C-26074 OR ASTM B-733.
CENTER CONDUCTOR,
BERYLLIUM COPPER ALLOY PER ASTM B-196,
UNS No. C17300, TEMPER TD04(H),
GOLD PLATED .000050 IN (1.27 µM) MIN. THK.
PER ASTM B-488, CODE C, TYPE II, CLASS 1.27
OVER
NICKEL PLATE, .000050 IN (1.27 µM) MIN. THK.
PER SAE-AMS-QQ-N-290, TYPE 1.
DIELECTRIC,
POLYTETRAFLUOROETHYLENE (PTFE) PER ASTM D-1710,
OR ASTM D-4894, TYPE I, GRADE 1.
RETAINING RING,
BERYLLIUM COPPER, PER ASTM B-197 OR B-441,
UNS No. C17200 TEMPER TD04(H)
GASKET,
SILICONE RUBBER PER GSA CID A-A-59588-2B
AND SAE-AMS-3304.
3. ELECTRICAL CHARACTERISTICS:
IMPEDANCE
50.0 Ohms NOMINAL.
FREQUENCY
25.0 GHz MAX.
INSERTION LOSS
BELOW 21.0 GHz 0.20 dB
BELOW 25.0 GHz 0.30 dB
VSWR
BELOW 21.0 GHz 1.15 : 1 MAX.
BELOW 25.0 GHz 1.27 : 1 MAX.
4. SMA INTERFACE MEETS MIL-STD-348.
5. OPERATING TEMPERATURE RANGE,
-55° C TO +125° C.



UNLESS OTHERWISE SPECIFIED
CONCENTRICITY .004 T.I.R.
CORNERS AND FILLETS .005
MAX. RADIUS OR CHAMFER.
SURFACE FINISH 63 RMS
MICROINCHES OR BETTER.

FRACTIONS	± 1/16
X	± .030
XX	± .015
XXX	± .005
ANGLES	± 1°
DO NOT SCALE DRAWING	

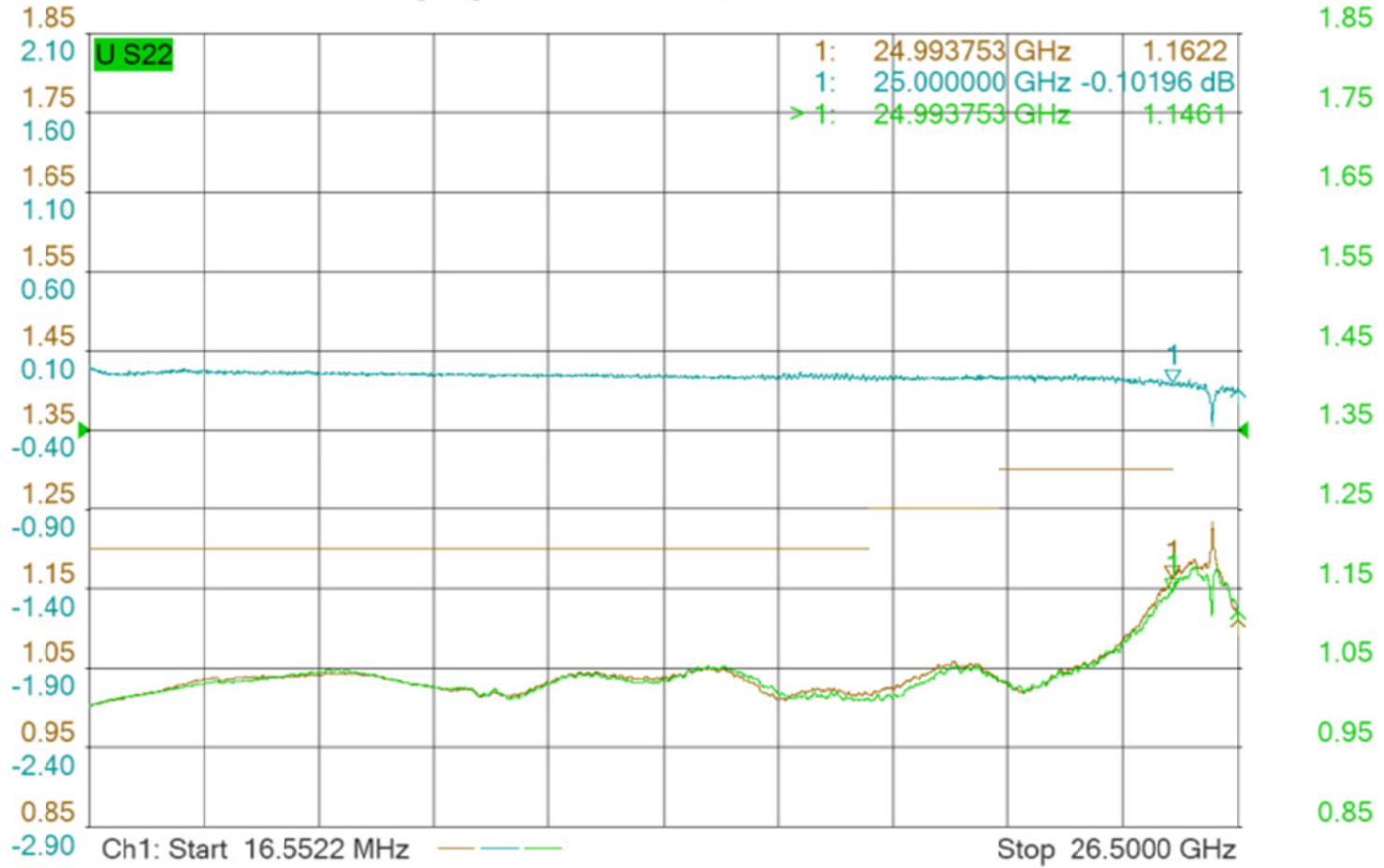
NAME	DATE
PREP. M. KEATING	12/05/90
ELEC.	
MECH.	
Q.C.	

HUBER+SUHNER
Astrolab
THIS DRAWING CONTAINS PATENTABLE AND PROPRIETARY INFORMATION. THE DESIGN CANNOT BE USED WITHOUT WRITTEN PERMISSION OF HUBER + SUHNER ASTROLAB.

TITLE	ADAPTOR, SMA PLUG TO SMA JACK, 90°		
THDS. TO BE IN ACCORD WITH U.S. DEPT. OF COMM. SCREW THD. STDS. FOR FEDERAL SERVICES 1950 SUPPL. TO HANDBOOK H 28.	SCALE	CODE IDENT.	DWG NO.
	4:1	16301	29212-1
			REV N

N	COMPANY LOGO UPDATE. DESCRIPTION ADDED.	01/11/13	GS	
REV.	DESCRIPTION	DATE	BY	APPROVED

Window 1 (1) S11 Units (2) S21 dB (4) S22 Units
 SWR C 2-Port LogMag C 2-Port SWR C 2-Port



Trace Attributes								
Window	ID	Trace	Channel	Correction	Options	Marker	Position	Response
1	1	S11	1	C 2-Port		1	24993.753 MHz	1.1633
2	2	S21	1	C 2-Port		1	25000 MHz	-0.10771 dB
4	4	S22	1	C 2-Port		1	24993.753 MHz	1.1465

ASTROLAB TEST REPORT
 29212-1
 S/O 1375210

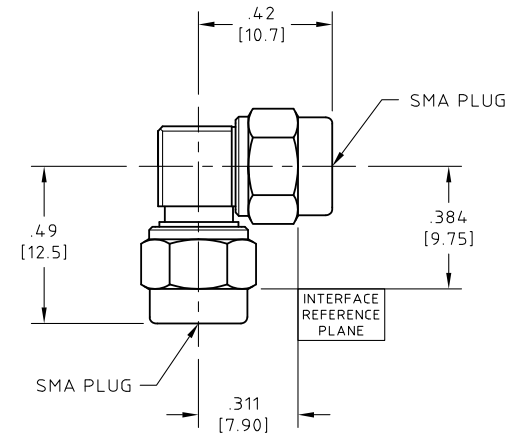
CONTROL DRAWING

29212-2

H

NOTES:

- DESCRIPTION
ADAPTOR, SMA PLUG TO SMA PLUG, 90°
- MATERIALS AND FINISHES
BODY AND NUTS,
STEEL, CORROSION RESISTANT PER ASTM A-582,
UNS No. S30300, COND. A, NON MAGNETIC,
PASSIVATED PER SAE-AMS-2700 OR ASTM A-967.
NO DICHROMATE SOLUTIONS USED.
OR
NICKEL PLATED .000100 IN MIN. THK. (2.54 MICRO METERS)
PER SAE-AMS-C-26074 OR ASTM B-733.
CENTER CONDUCTOR
BERYLLIUM COPPER ALLOY PER ASTM B-196,
UNS No. C17300, TEMPER TD04(H).
GOLD PLATED .000050 IN MIN. THK. (1.27 MICRO METERS)
PER ASTM B-488, CODE C, TYPE II
OVER
NICKEL PLATE, .000050 IN MIN. THK. PER SAE-AMS-QQ-N-290,
OR ASTM B-689 TYPE 1.
DIELECTRIC
POLYTETRAFLUOROETHYLENE (PTFE) PER ASTM D-1710,
OR ASTM D-4894, TYPE I, GRADE 1.
RETAINING RING
BERYLLIUM COPPER, PER ASTM B-197 OR B-441,
UNS No. C17200 TEMPER TD04(H).
GASKET
SILICONE RUBBER PER GSA CID A-A-59588-2B AND SAE-AMS-3304.
- ELECTRICAL CHARACTERISTICS:
IMPEDANCE
50.0 Ohms NOMINAL.
FREQUENCY
25.0 GHz MAX.
INSERTION LOSS
0.40 dB MAX.
VSWR
1.20 : 1 MAX. FROM DC TO 18.0 GHz.
1.25 : 1 MAX. FROM 18.0 TO 21.0 GHz.
1.35 : 1 MAX. FROM 21.0 TO 25.0 GHz.
- INTERFACE MEETS MIL-STD-348.
- OPERATING TEMPERATURE RANGE
-55° C TO +125° C



UNLESS OTHERWISE SPECIFIED
CONCENTRICITY .004 T.I.R.
CORNERS AND FILLETS .005
MAX. RADIUS OR CHAMFER.
SURFACE FINISH 63 RMS
MICROINCHES OR BETTER.

FRACTIONS	± 1/16
X	± .030
XX	± .015
XXX	± .005
ANGLES	± 1°
DO NOT SCALE DRAWING	

NAME	DATE
PREP. M. KEATING	12/05/90
ELEC.	
MECH.	
Q.C.	
TITLE	

HUBER+SUHNER
Astrolab
THIS DRAWING CONTAINS PATENTABLE AND PROPRIETARY INFORMATION. THE DESIGN CANNOT BE USED WITHOUT WRITTEN PERMISSION OF HUBER + SUHNER ASTROLAB.

ADAPTOR, SMA PLUG TO SMA PLUG, 90°

THDS. TO BE IN ACCORD WITH U.S. DEPT. OF COMM. SCREW THD. STDS. FOR FEDERAL SERVICES 1950 SUPPL. TO HANDBOOK H 28.	SCALE	CODE IDENT.	DWG NO.	REV
	2:1	16301	29212-2	H

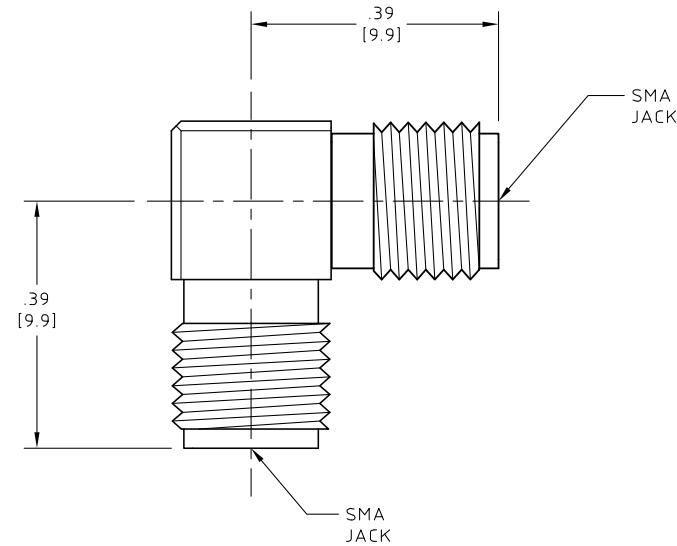
H	COMPANY LOGO UPDATE. DESCRIPTION ADDED.	01/11/13	GS	
REV.	DESCRIPTION	DATE	BY	APPROVED

29212-3

E

NOTES:

- DESCRIPTION
ADAPTOR, SMA JACK TO SMA JACK, 90°.
- BODY AND NUT,
STEEL, CORROSION RESISTANT PER ASTM A-582,
UNS No. S30300, COND. A, NON MAGNETIC,
PASSIVATED PER SAE-AMS-2700 OR ASTM A-967.
NO DICHROMATE SOLUTIONS USED.
OR
NICKEL PLATED .000100 IN MIN. THK. (2.54 MICRO METERS)
PER SAE-AMS-C-26074 OR ASTM B-733.
CENTER CONDUCTOR,
BERYLLIUM COPPER ALLOY PER ASTM B-196,
UNS No. C17300, TEMPER TD04(H),
GOLD PLATED .000050 IN MIN. THK. (1.27 MICRO METERS)
PER ASTM B-488, CODE C, TYPE II,
OVER
NICKEL PLATE, .000050 IN MIN. THK. PER SAE-AMS-QQ-N-290,
OR ASTM B-689 TYPE 1.
DIELECTRIC,
POLYTETRAFLUOROETHYLENE (PTFE) PER ASTM D-1710,
OR ASTM D-4894, TYPE I, GRADE 1.
- ELECTRICAL CHARACTERISTICS:
IMPEDANCE
50.0 Ohms NOMINAL.
FREQUENCY
25.0 GHz MAX.
INSERTION LOSS
0.40 dB MAX.
VSWR
1.20 : 1 MAX. FROM DC TO 18.0 GHz.
1.25 : 1 MAX. FROM 18.0 TO 21.0 GHz.
1.35 : 1 MAX. FROM 21.0 TO 25.0 GHz.
- INTERFACE MEETS MIL-STD-348.
- OPERATING TEMPERATURE RANGE
-55° C TO +125° C



CONTROL DRAWING

NAME	DATE	<p>THIS DRAWING CONTAINS PATENTABLE AND PROPRIETARY INFORMATION. THE DESIGN CANNOT BE USED WITHOUT WRITTEN PERMISSION OF HUBER + SUHNER ASTROLAB.</p>
PREP. M. KEATING	12/05/90	
ELEC.		
MECH.		
Q.C.		

UNLESS OTHERWISE SPECIFIED
CONCENTRICITY .004 T.I.R.
CORNERS AND FILLETS .005
MAX. RADIUS OR CHAMFER.
SURFACE FINISH 63 RMS
MICROINCHES OR BETTER.

FRACTIONS	± 1/16
X	± .030
XX	± .015
XXX	± .005
ANGLES	± 1°
DO NOT SCALE DRAWING	

TITLE	ADAPTOR, SMA JACK TO SMA JACK			
THDS. TO BE IN ACCORD WITH U.S. DEPT. OF COMM. SCREW THD. STDS. FOR FEDERAL SERVICES 1950 SUPL. TO HANDBOOK H 28.	SCALE	CODE IDENT.	DWG NO.	REV
	4:1	16301	29212-3	E

E	COMPANY LOGO UPDATE. DESCRIPTION ADDED	01/11/13	GS	
REV.	DESCRIPTION	DATE	BY	APPROVED